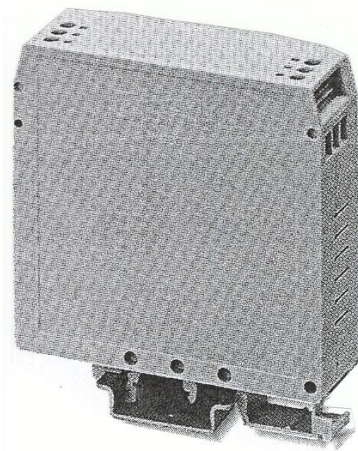


## Telephone coupler type iKT2

### Ordering data

Designation	Type	Item no.
Telephone coupler	iKT2	118 810 01 AX



- **i/i Coupler for telephone circuits**
- **Connection for a telephone of type iVT2 for shaft telephone applications, suitable for star or line-type connection of shaft telephones**

### Functions:

- **Electrical isolation i/i**
- **High-impedance loop current sink for LF signals**
- **Transmission of ringing, dial and voice signals**
- **Type of protection: I M1 EEx ia I**

### Application

The telephone coupler iKT2 is used in environments susceptible to firedamp. Its design conforms to protection type EEx ia I, category I M1.

A telephone of type iVT2 equipped with a control program suitable for the "shaft telephone" application is connected to the primary side of the telephone coupler. The secondary side of the iKT2 is connected in parallel with the secondary sides of other telephone couplers iKT2, thus enabling to configure a shaft telephone system of star or line topology with up to 12 subscribers.

Primary and secondary side of the telephone coupler iKT2 are electrically isolated from each other.

The telephone coupler fulfils the following tasks:

- Electrically isolated transmission of ringing signals generated by an iVT2 (300Hz)
- Take in the loop assignment current emitted by an activated iVT2

- Electrically isolated transmission of dialling information (MF dialling) and voice signals.

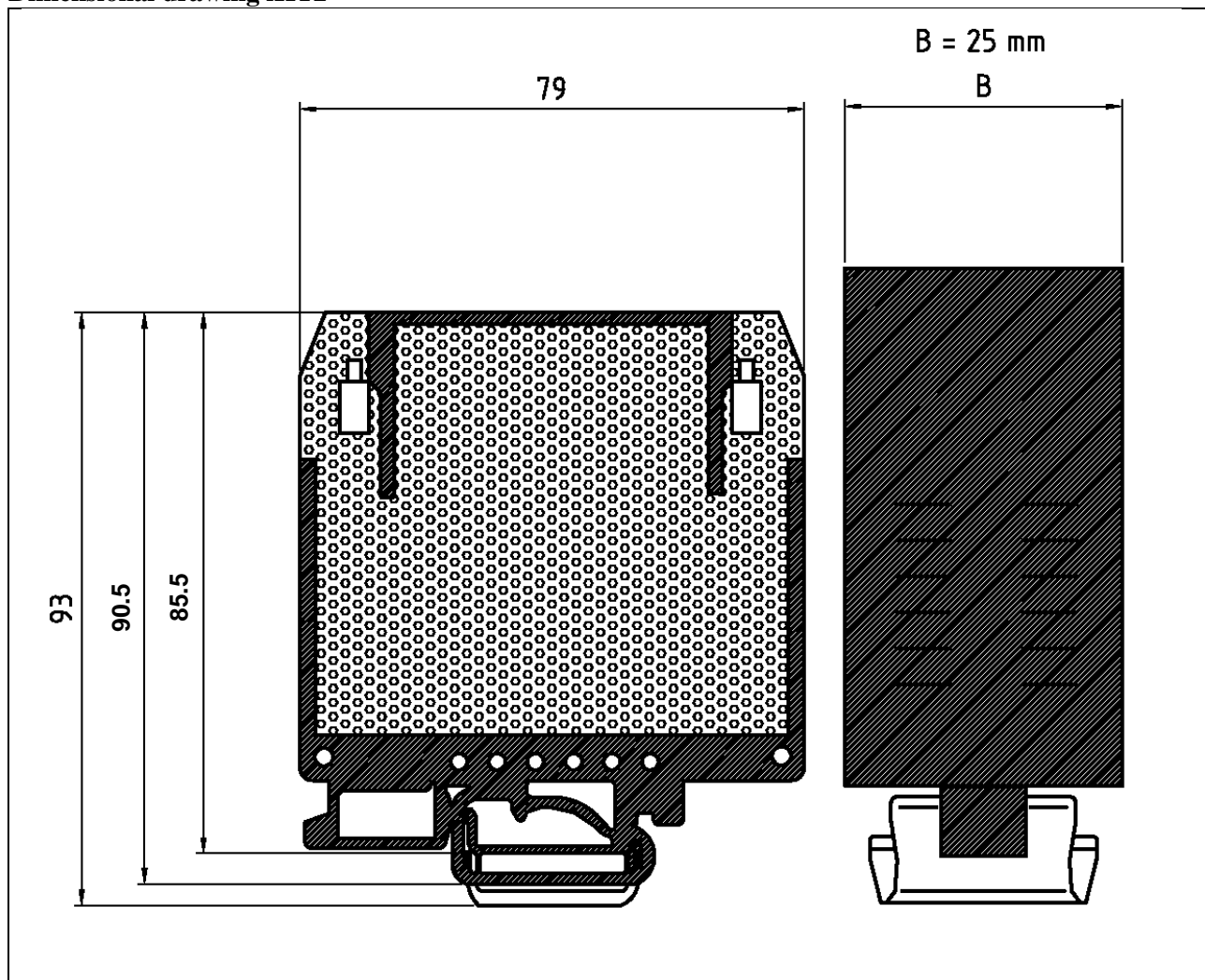
The iKT2 does not need a power supply of its own, as the module basically functions as a transmitter and has a passive structure.

The connections on the primary and the secondary side are electrically isolated from each other. Connection of subscriber and connecting cables is independent from polarity.

### Configuration

The electronic modules of the telephone coupler iKT2 are installed in an electronic housing appropriate for mounting on a 35mm DIN top-hat rail. The electronic housing is fitted with screw terminals to connect the connecting cable to the telephone iVT2 as well as to connect the secondary sides of the telephone couplers iKT2 among each other.

Dimensional drawing iKT2



FHF Bergbautechnik GmbH & Co. KG  
Eintrachtstr. 95  
42551 Velbert



Tel: +49 (0) 2051 270 - 0  
Fax: +49 (0) 2051 270-366  
Email: [info@fhf-bt.de](mailto:info@fhf-bt.de)  
URL : [www.fhf-bt.de](http://www.fhf-bt.de)