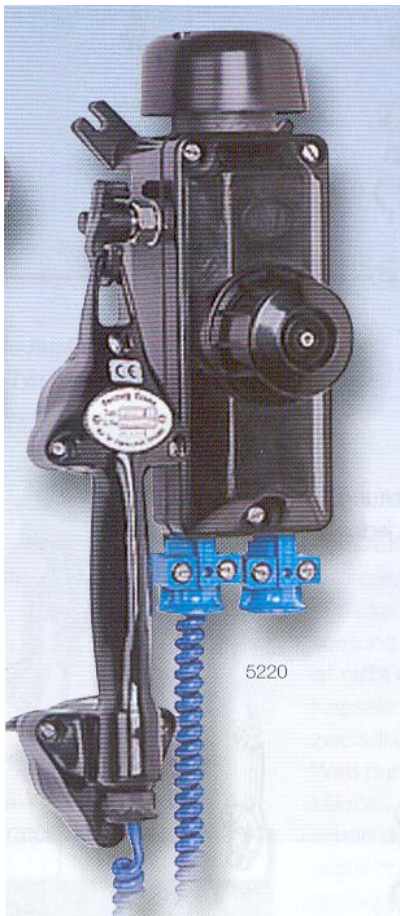


Telephone FG 5220 (howl-call telephone)

Ordering Data

Designation	Type	Item no.
Telephone	FG 5220	113 271 01 AX



- **Telephony without power supply**
- **For rough conditions**
- **Protection degree IP 54**
- **Protection type I M 1 EEx ia I**

Description

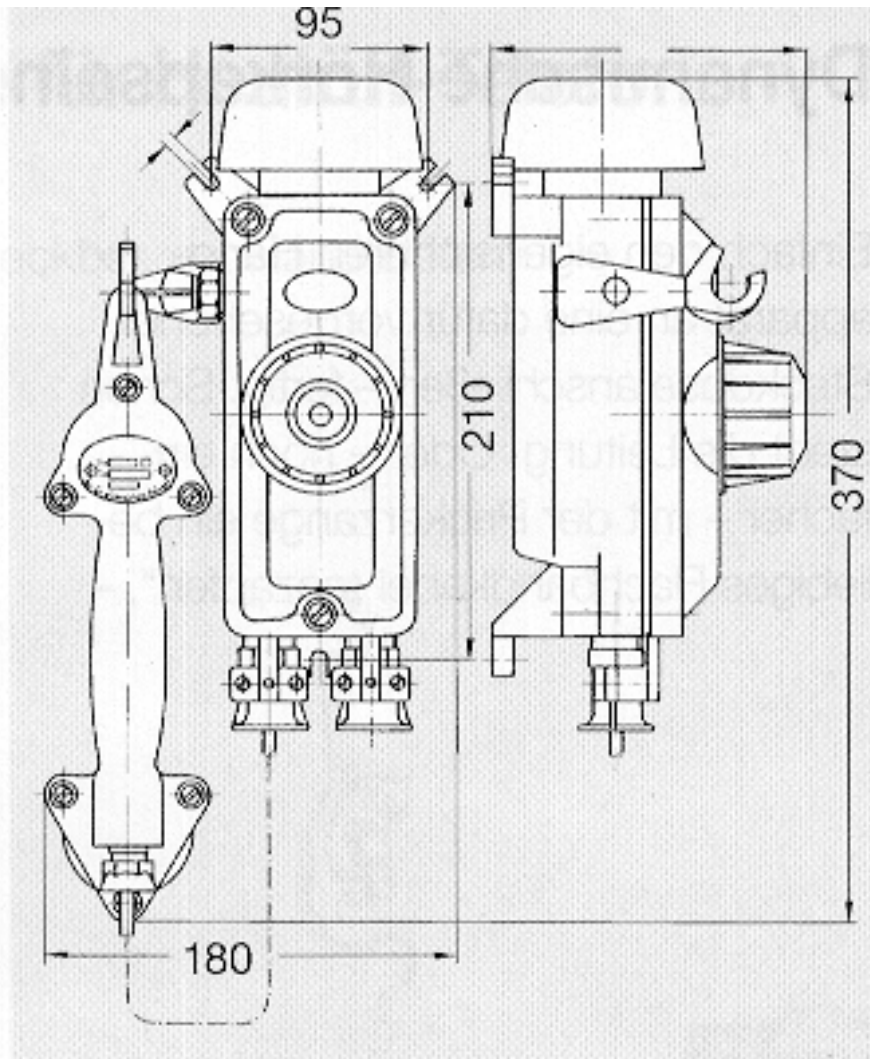
In addition to the handset with the dynamic transmitter and receiver capsules, the intrinsically safe telephone of type FG 5220 also contains a howl-call generator for high loudness and a calling device. The FG 5220 is used to install a simple, dynamic telephone system in mine environments susceptible to firedamp.

Up to 10 telephones may be connected in parallel in such a telephone system.

The howl-call telephone is a battery-free, mains-independent telephone with dynamic transmitter and receiver capsules of high efficiency which enable a voice connection without requiring any additional feeding.

The call signal is generated by turning the rotary knob featuring an audio frequency dynamo.

Device layout / dimension drawing



FHF Bergbautechnik GmbH & Co. KG
Eintrachtstr. 95
D-42551 Velbert



Tel: (02051) 270 - 0
Fax: (02051) 270-366
Mail: info@fhf-bt.de
URL: www.fhf-bt.de